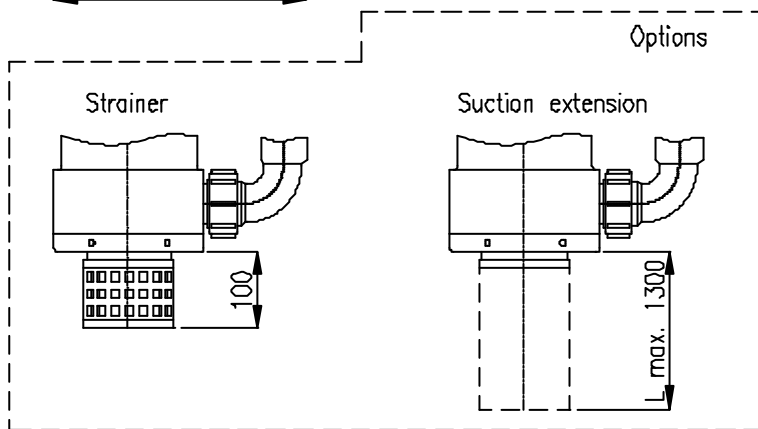
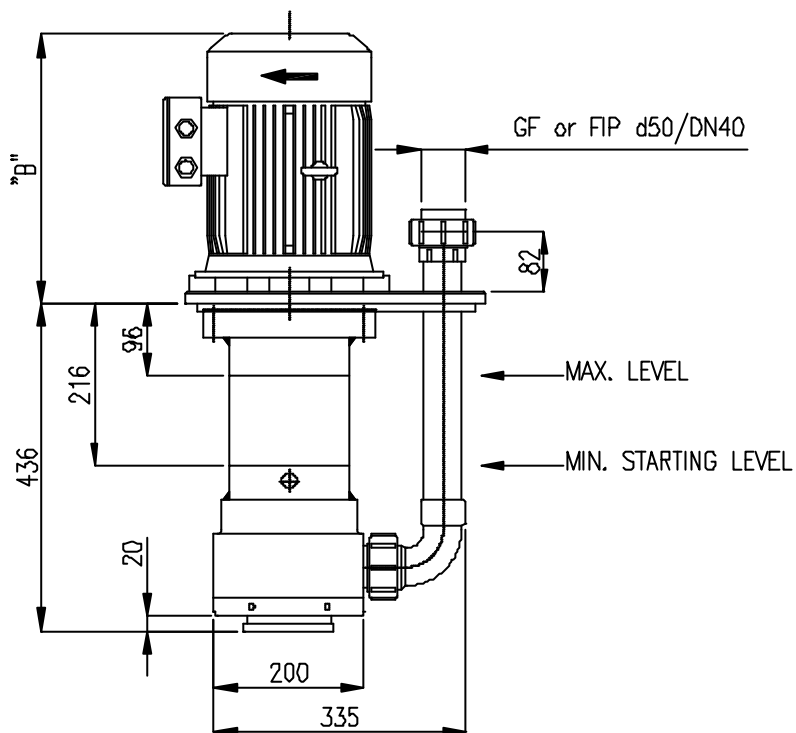
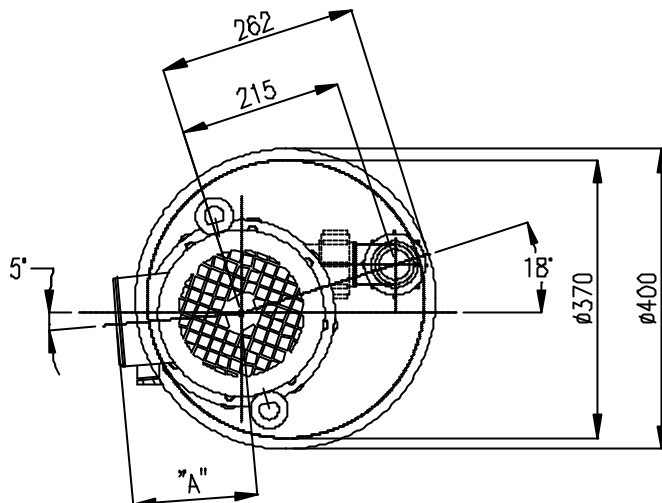




	"A"	"B"
D201	167	359
D202	199	404
D203	210	440



material	PP	drw.	H. Goorman	scale	1 : 10	www.hendor.com			
mat. size	All sizes in mm	date	17-05-1999				Man 3.2		
		chk.				Overall tolerance ± 1mm			
						Angle tolerances Δ ±1'			
HG	06-12-2002	1	VERTICAL PUMP D201...D203-PP			drw. no.	000-001-221	size	A4
Chk.	Date	No.				File no.	0-001221		